

Greenpower
INSPIRING ENGINEERS

IET FORMULA 24 KIT CAR MANUAL

GREENPOWER EDUCATION TRUST



Global Partner

SIEMENS

National Partner



National Partner



National Partner

BMW *i*

Official Tools Provider



Global Technology Partner

SOLID EDGE

Legal Partner

**Hogan
Lovells**

CONTENTS

Front and Rear Chassis Assembly	3
Fitting Floor to Chassis	4
Safety Harness	5
Front Upright Assembly	6
Camber, Tracking, Ackermann and Ride Height	7
Steering System, Horn, Brake Lever and Starter Button	8
Front Wheel and Brake Assembly	9
Rear Axle Assembly	10
Rear Drive Wheel Assembly	11
Electrics	12
Rear Free Wheel Assembly	13
Motor and Chain Assembly	14
Steering Linkage Assembly	15
Headrest and Rear Light	16
Cockpit and Nose Cone Rear Padding	17
Seat Back and Headrest Padding	18
Wiring Diagram	19
Battery Assembly	20

TOOLS REQUIRED FOR THE BUILD

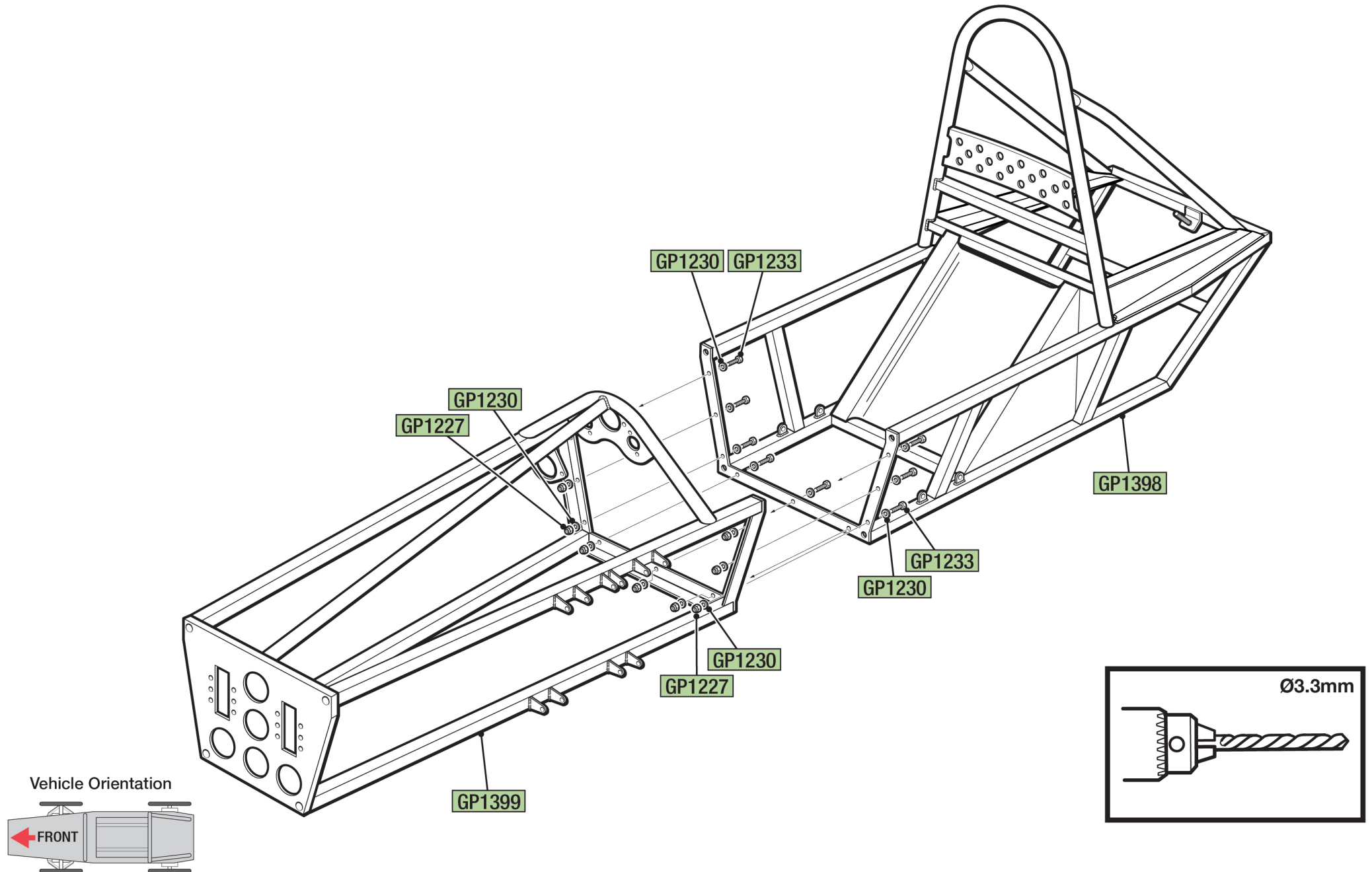
Chassis / Mechanical:

- Metric Spanners (selection)
- Metric Allen Keys (selection)
- Cordless Drill
- 3.3mm Drill Bit
- 8mm Drill bit
- Pliers
- Side Cutters
- Screwdrivers (selection)
- Pop Riveter
- Craft Knife
- Small G Clamps
- Double Sided Tape
- Safety Equipment

Finishing:

- Tyre Levers
- Tyre Pump with Pressure Gauge
- Cable Ties

FRONT AND REAR CHASSIS ASSEMBLY

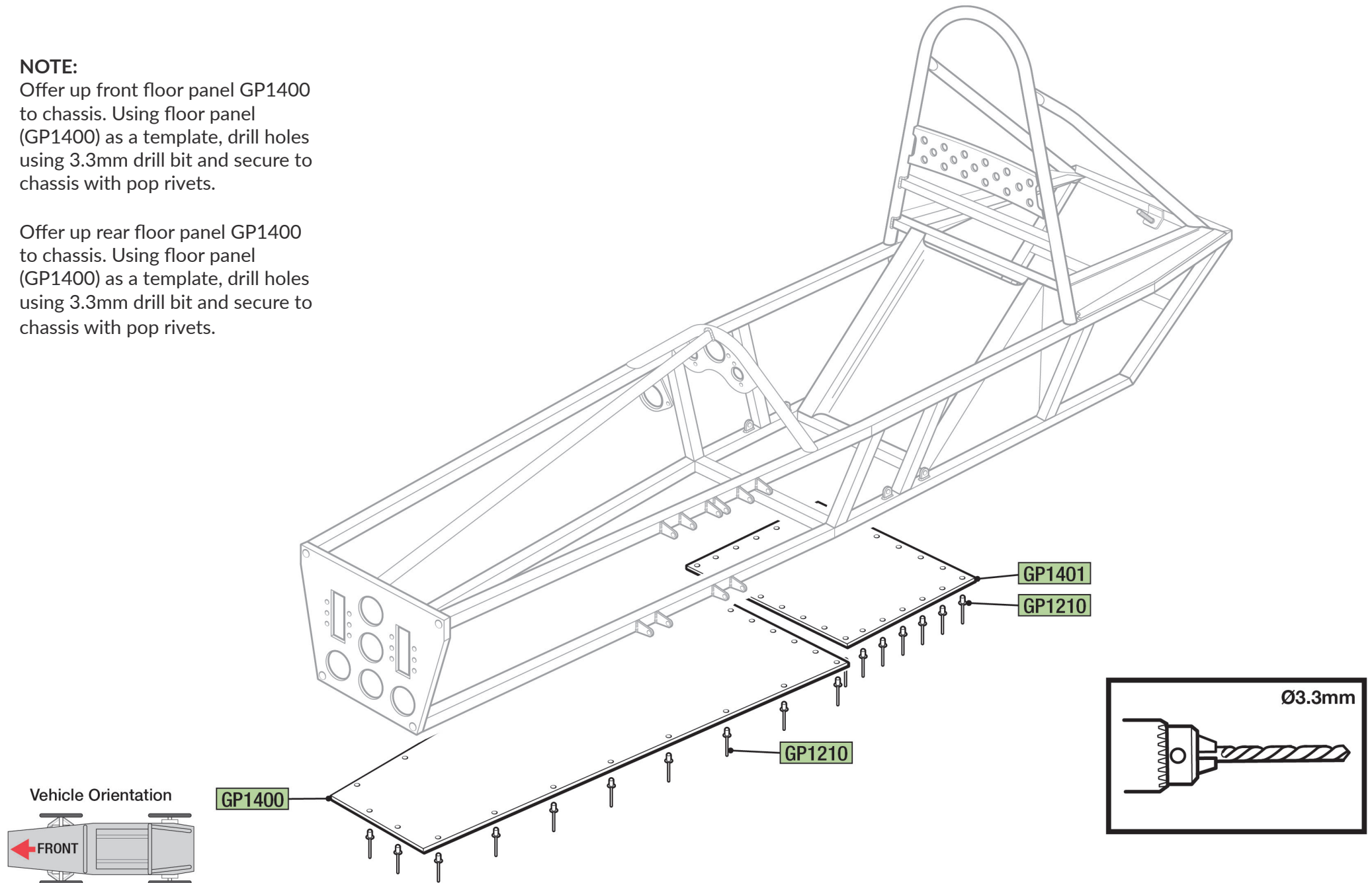


FITTING FLOOR TO CHASSIS

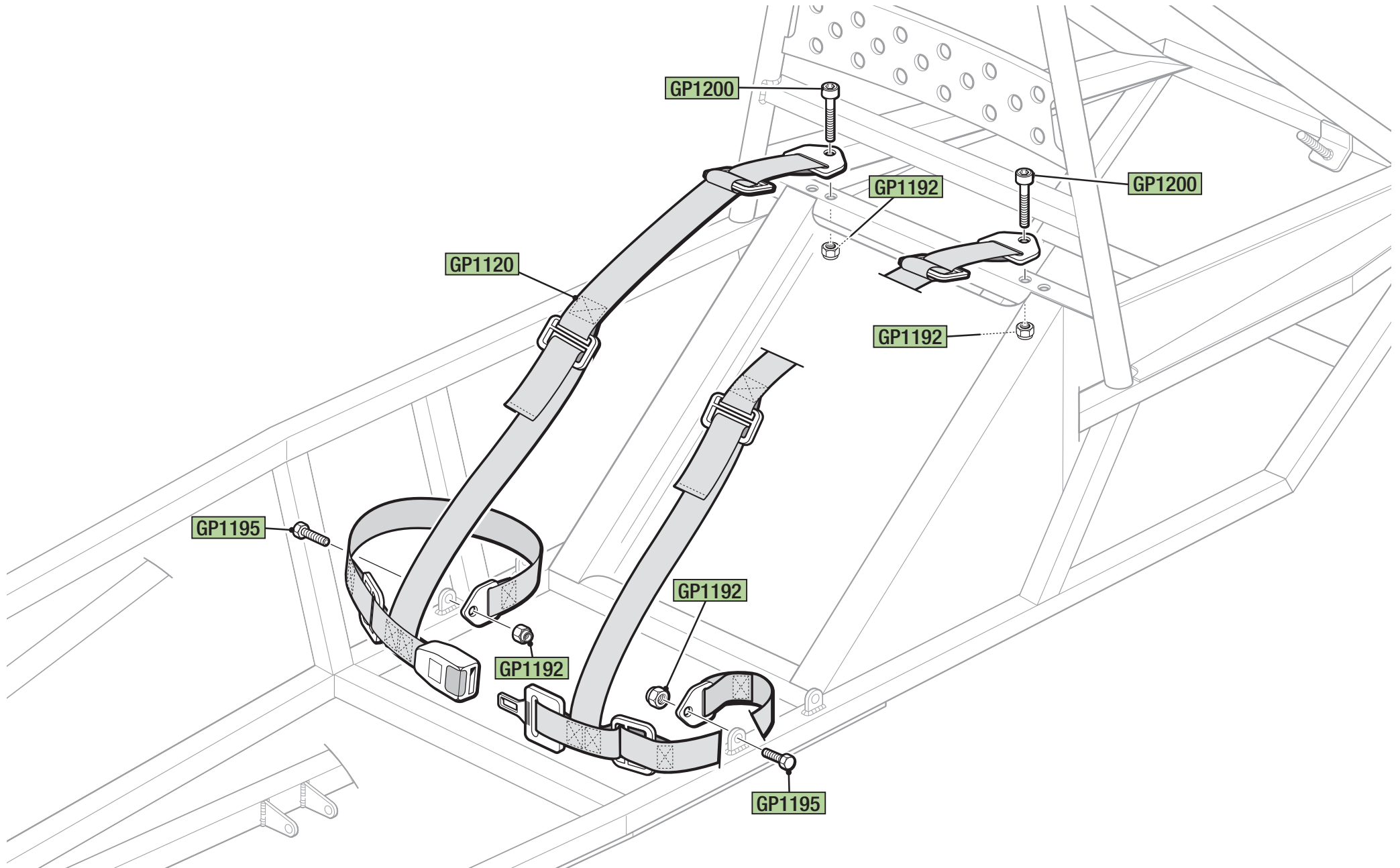
NOTE:

Offer up front floor panel GP1400 to chassis. Using floor panel (GP1400) as a template, drill holes using 3.3mm drill bit and secure to chassis with pop rivets.

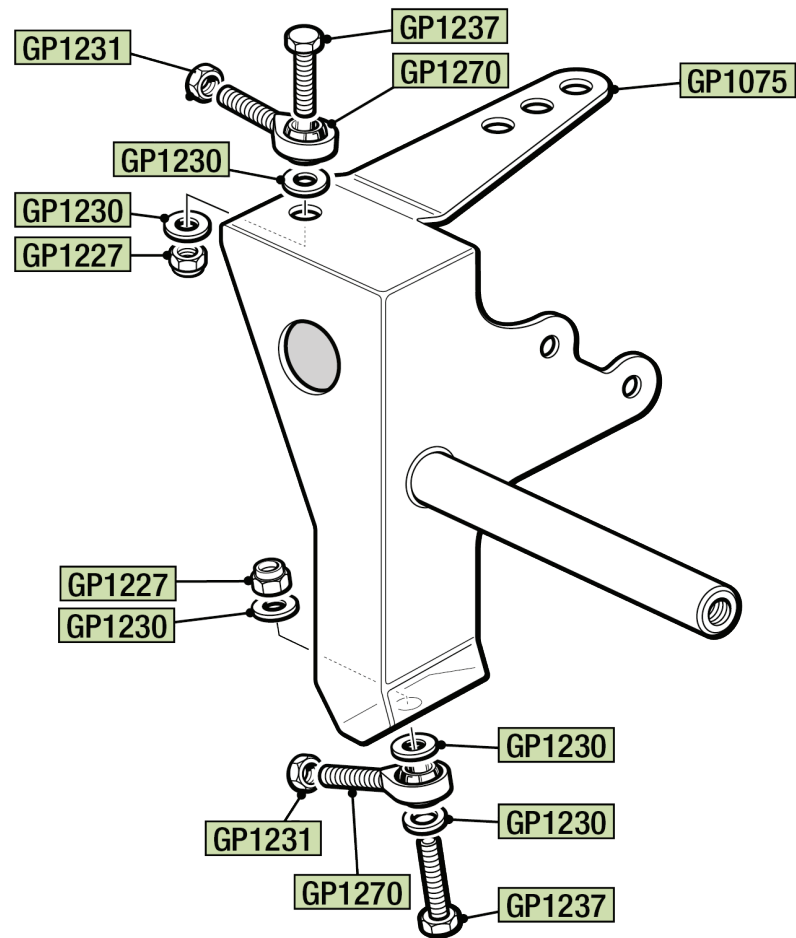
Offer up rear floor panel GP1400 to chassis. Using floor panel (GP1400) as a template, drill holes using 3.3mm drill bit and secure to chassis with pop rivets.



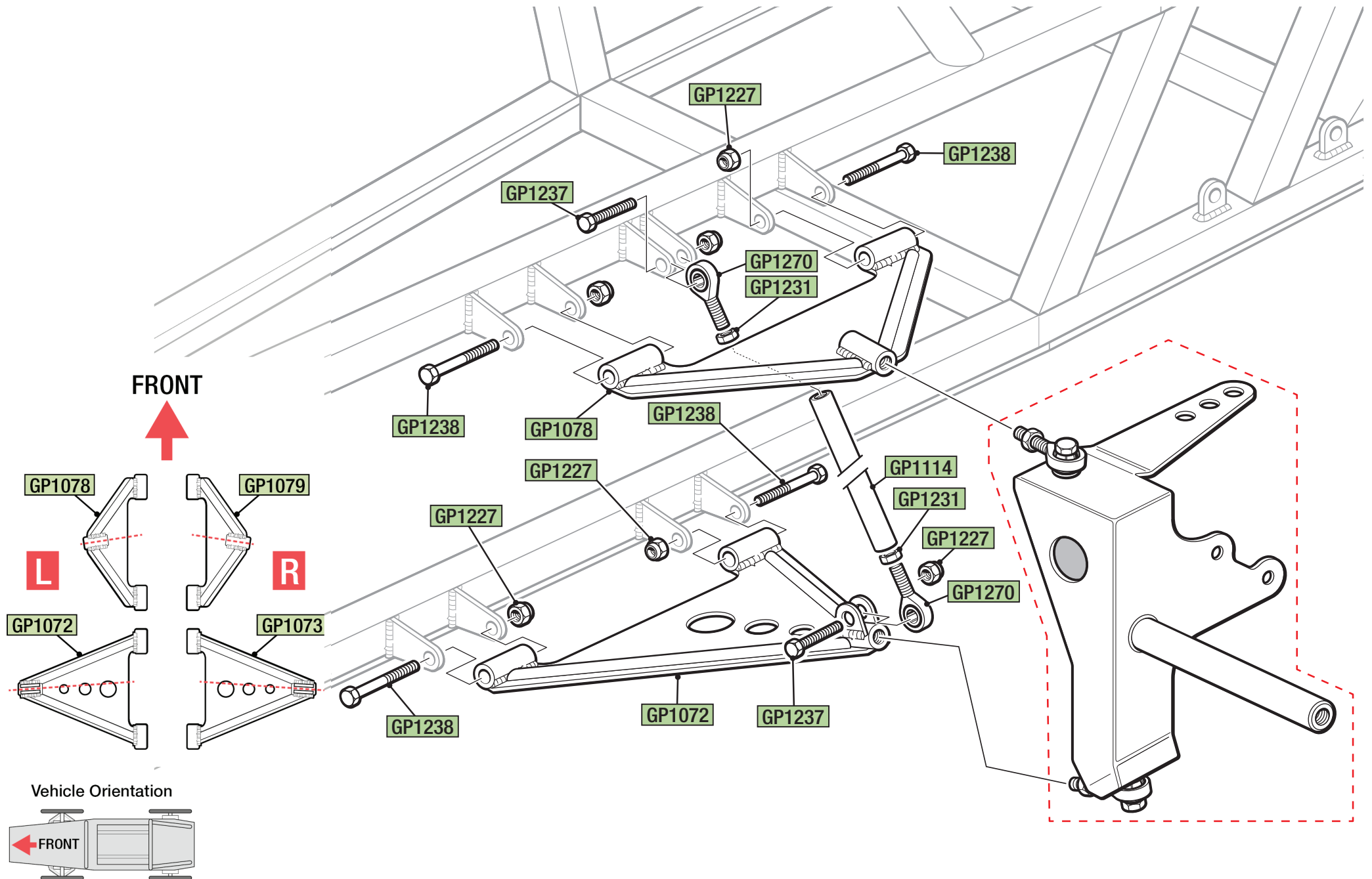
SAFETY HARNESS



FRONT UPRIGHT ASSEMBLY



CAMBER, TRACKING, ACKERMANN & RIDE HEIGHT



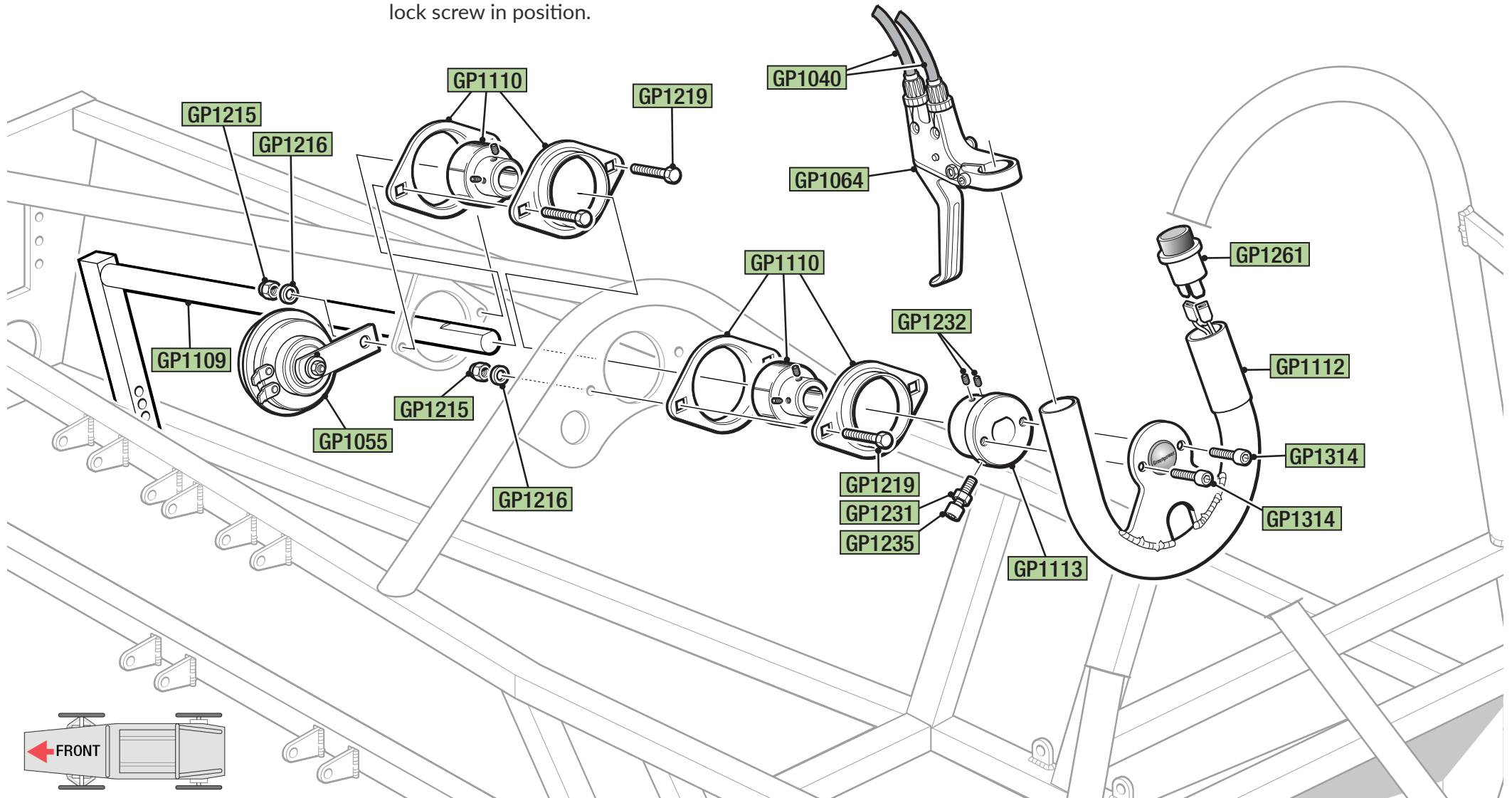
STEERING SYSTEM, HORN, BRAKE LEVER & STARTER BUTTON

NOTE:

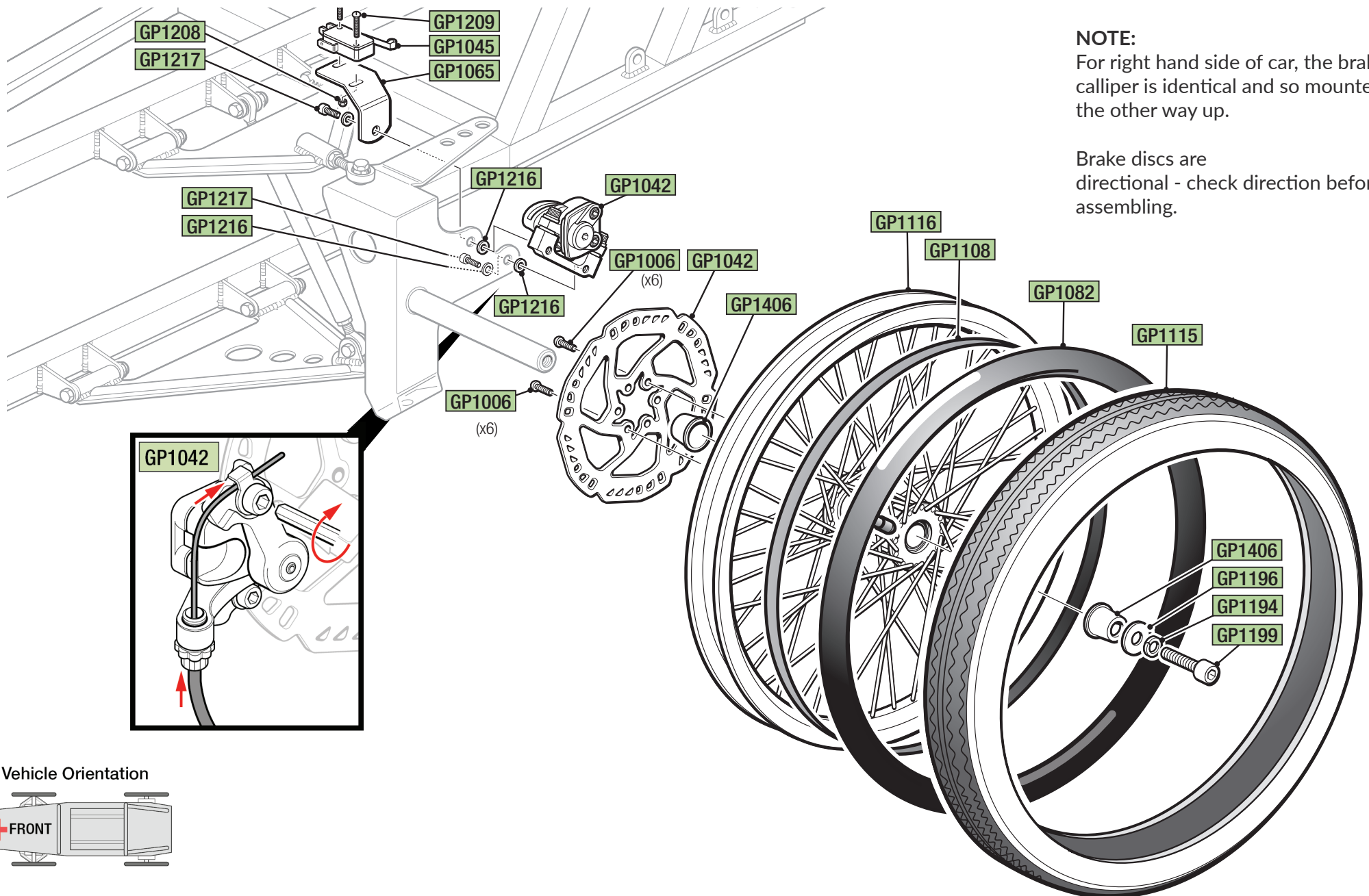
Do not tighten GP1109 bearing bolts or grub screws until steering column position is finalised.

NOTE:

When Steering wheel GP1112 is assembled fully tighten screw GP1235. Tighten nut GP1231 to lock screw in position.



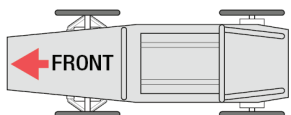
FRONT WHEEL & BRAKE ASSEMBLY



NOTE:
For right hand side of car, the brake calliper is identical and so mounted the other way up.

Brake discs are directional - check direction before assembling.

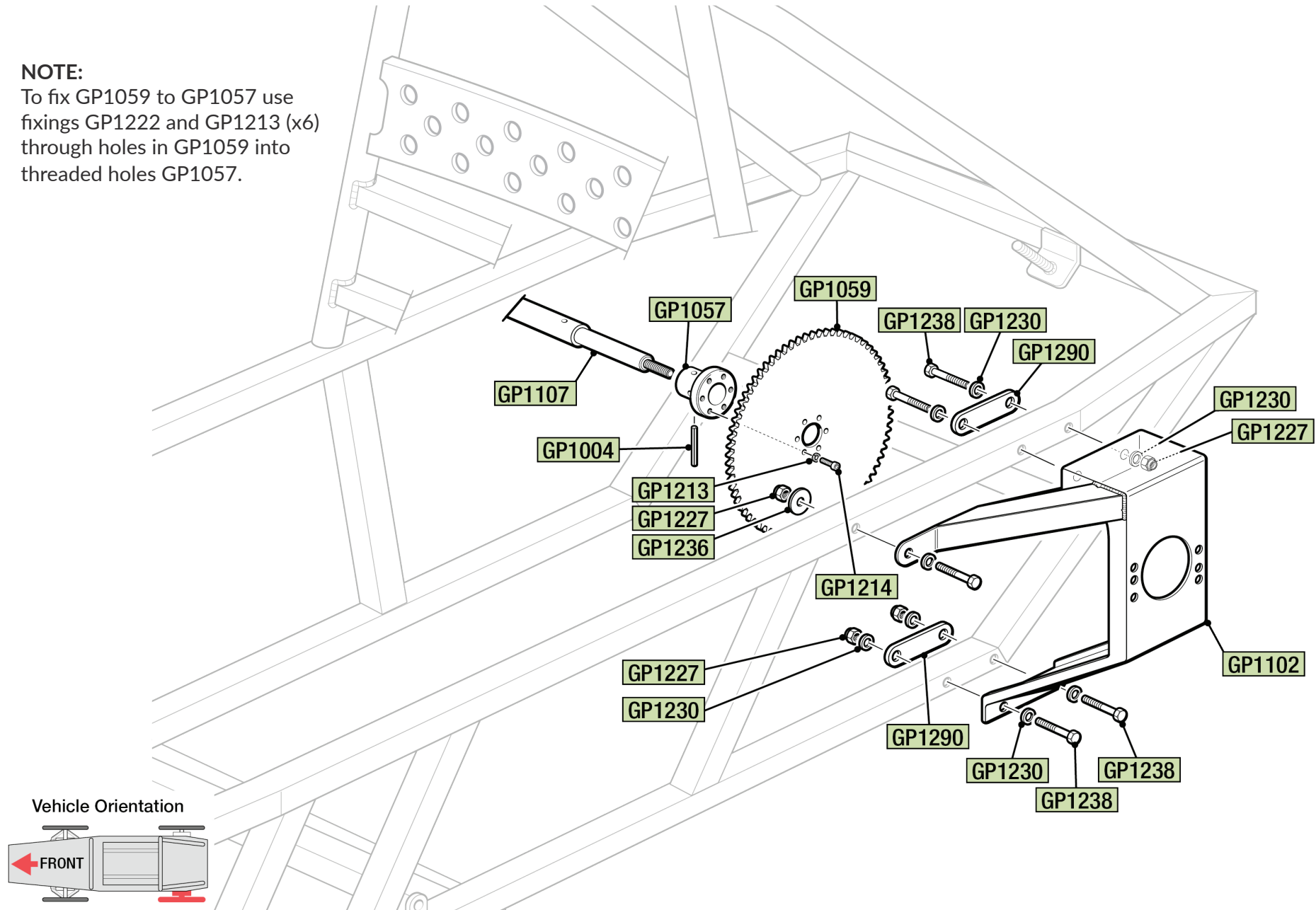
Vehicle Orientation



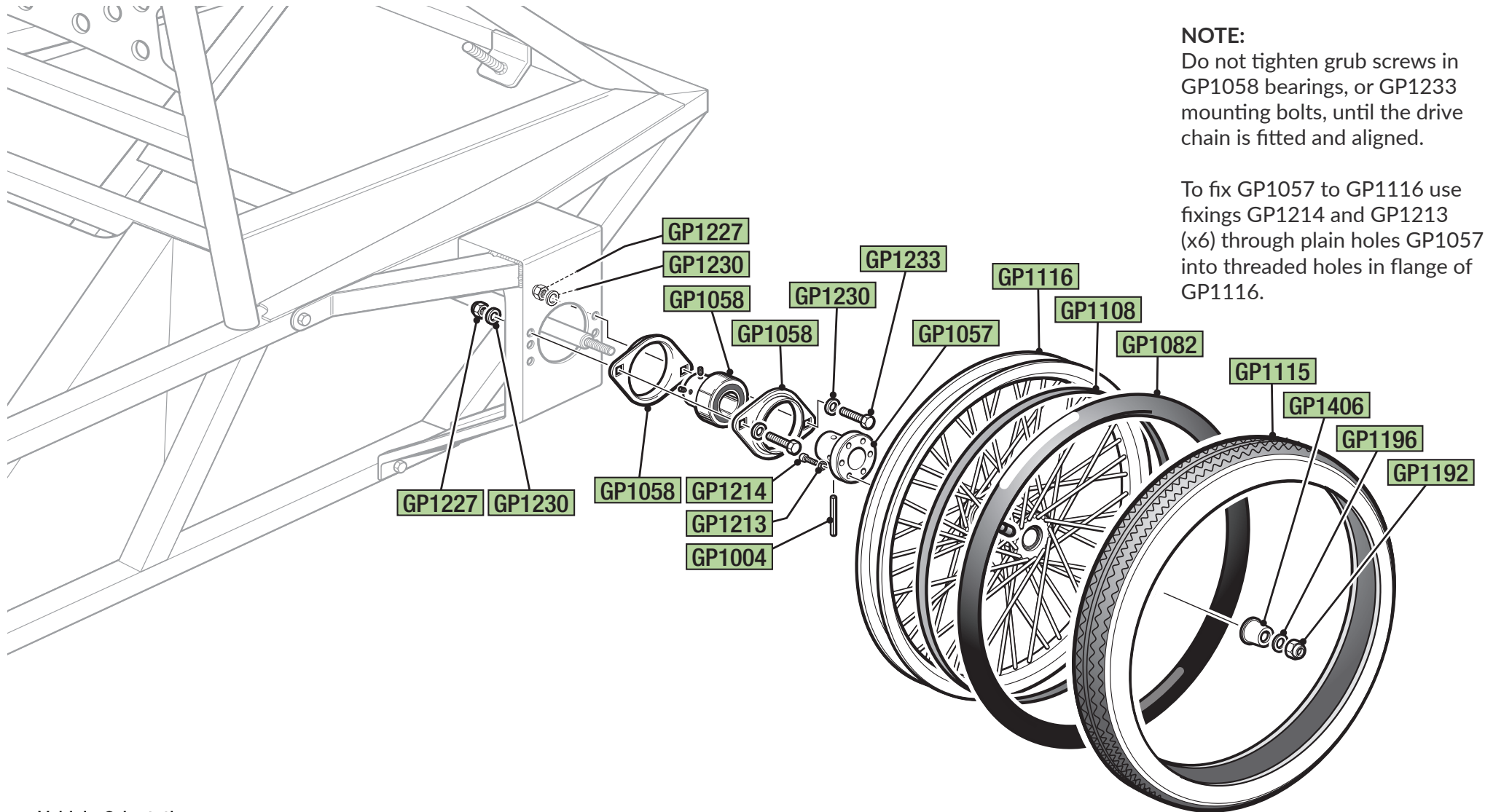
REAR AXLE ASSEMBLY

NOTE:

To fix GP1059 to GP1057 use fixings GP1222 and GP1213 (x6) through holes in GP1059 into threaded holes GP1057.



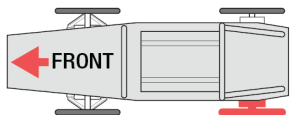
REAR DRIVE WHEEL ASSEMBLY



NOTE:
Do not tighten grub screws in GP1058 bearings, or GP1233 mounting bolts, until the drive chain is fitted and aligned.

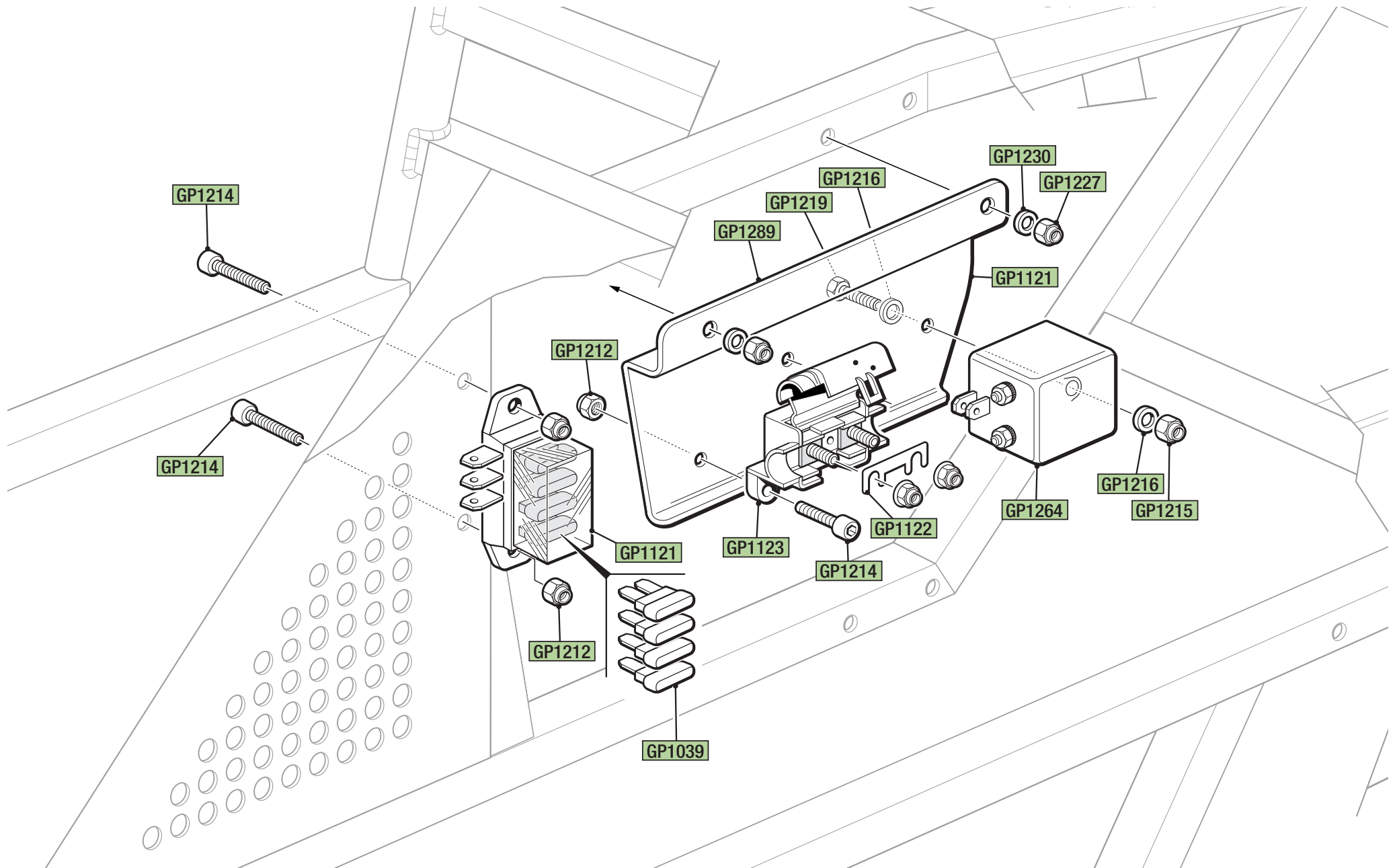
To fix GP1057 to GP1116 use fixings GP1214 and GP1213 (x6) through plain holes GP1057 into threaded holes in flange of GP1116.

Vehicle Orientation

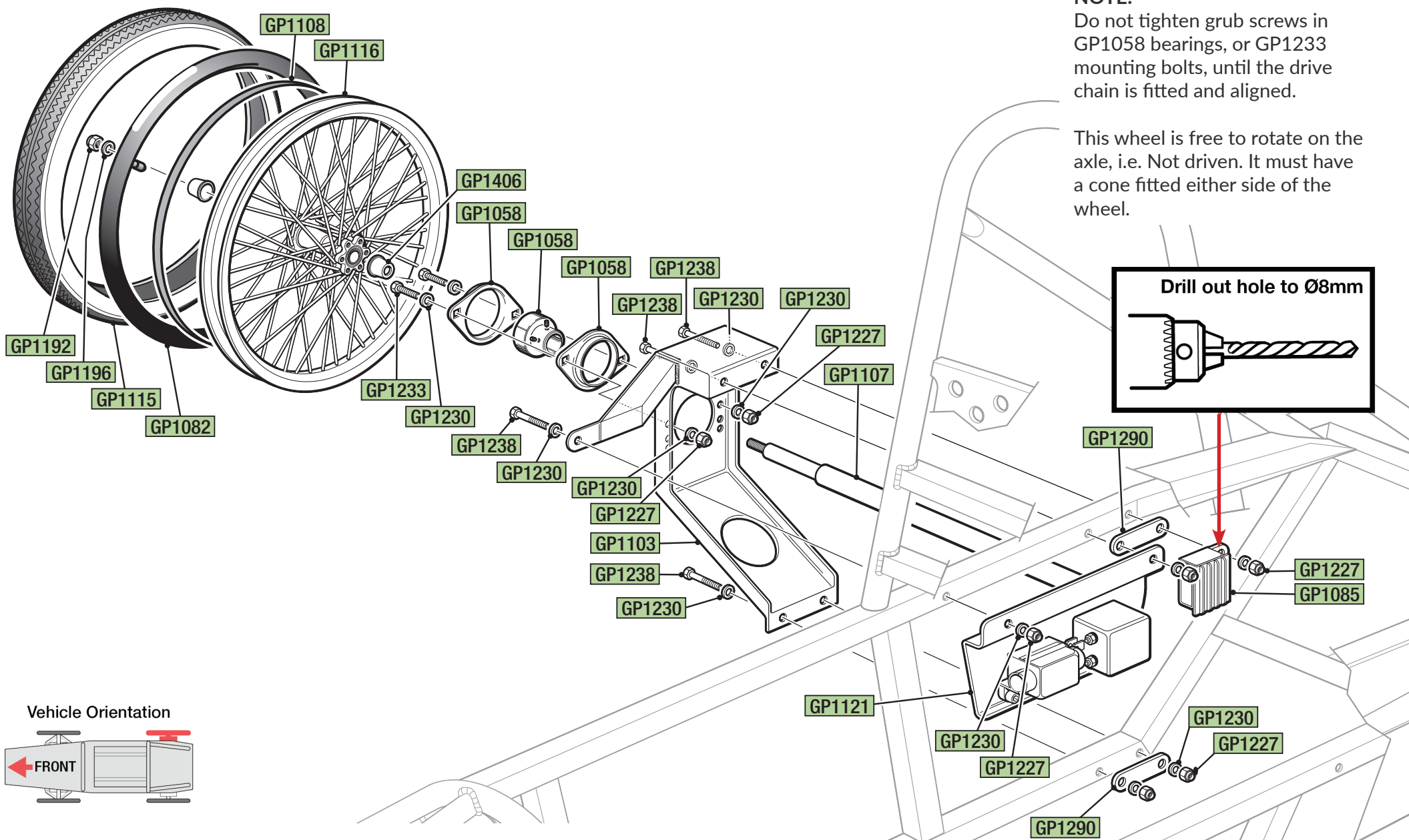


NOTE:
On the left hand side of car (drive wheel), only one cone is needed, on the outside of the wheel.

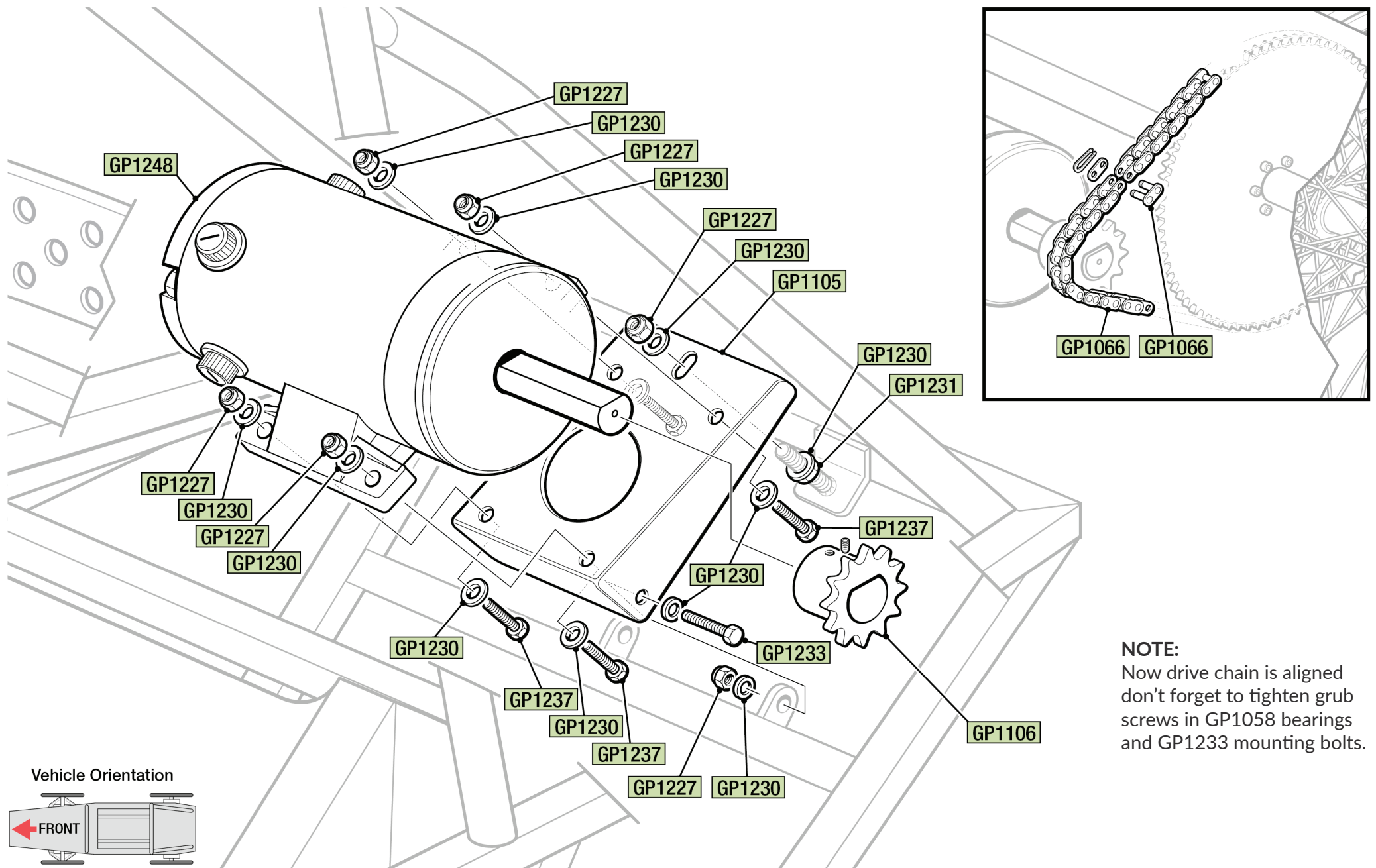
ELECTRICS



REAR FREE WHEEL ASSEMBLY

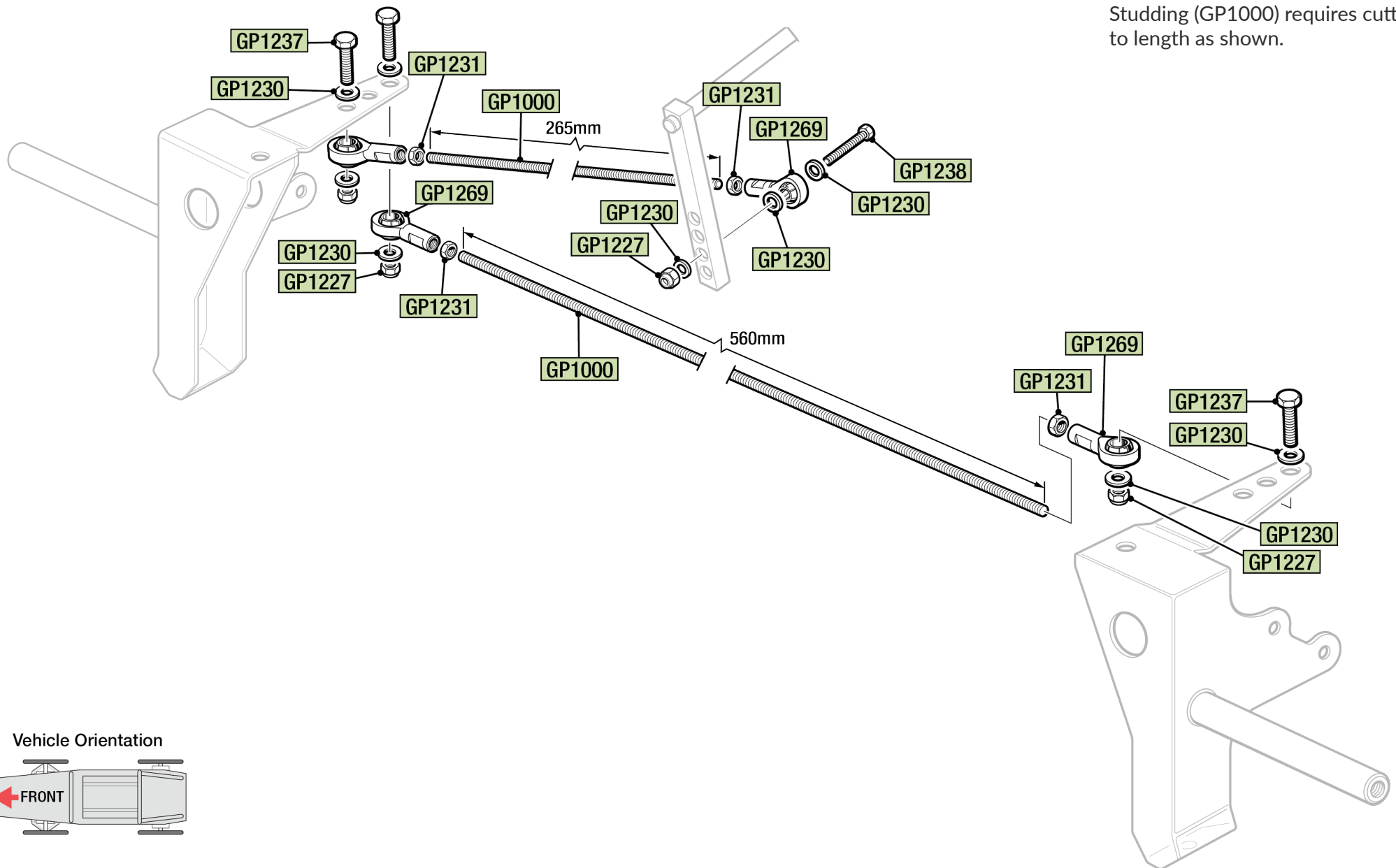


MOTOR & CHAIN ASSEMBLY

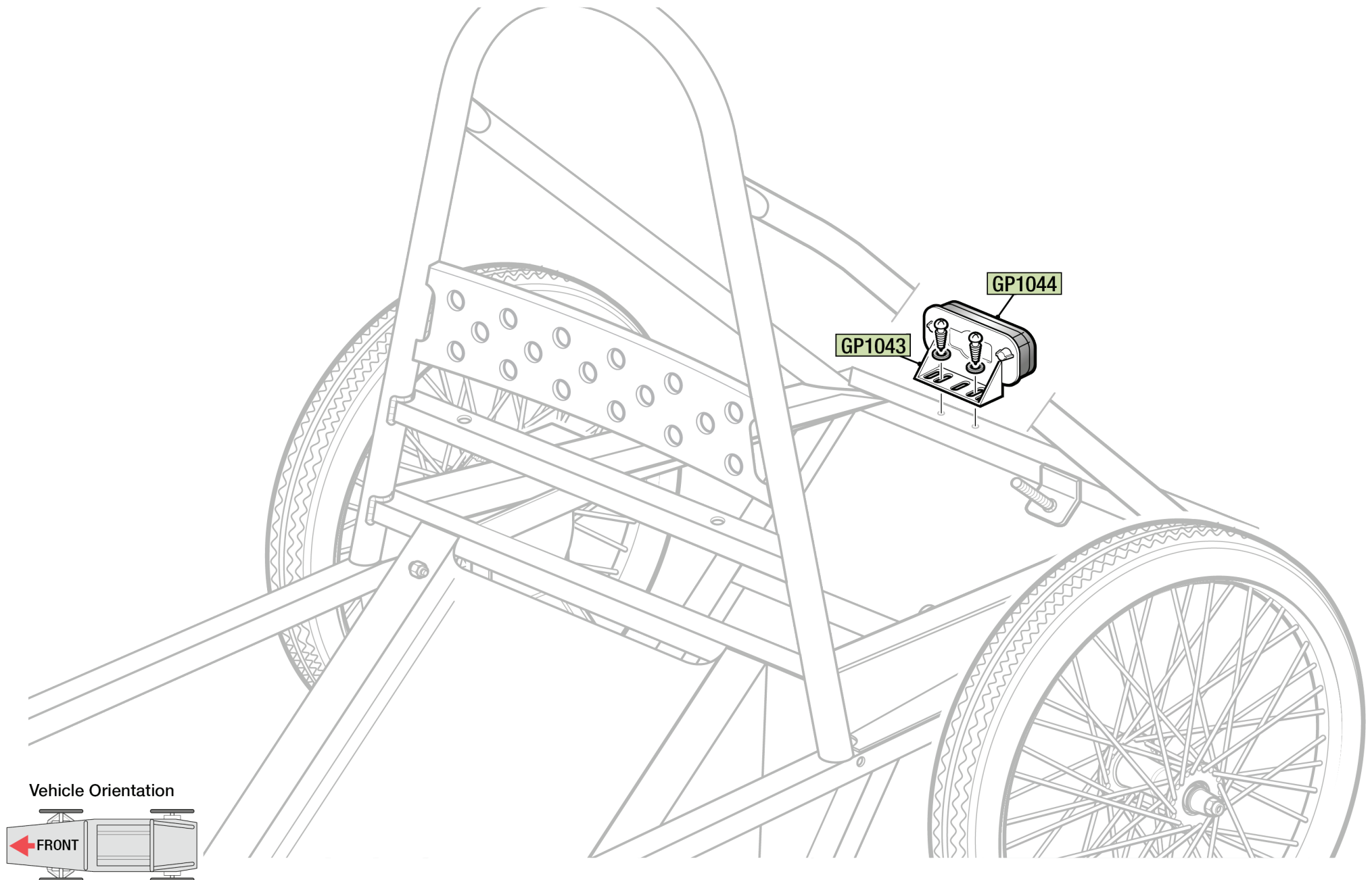


NOTE:
 Now drive chain is aligned don't forget to tighten grub screws in GP1058 bearings and GP1233 mounting bolts.

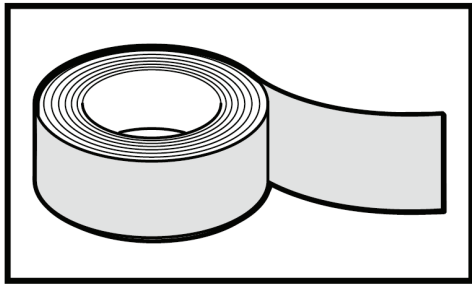
STEERING LINKAGE ASSEMBLY



HEADREST & REAR LIGHT

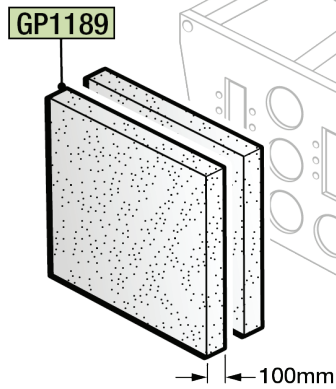
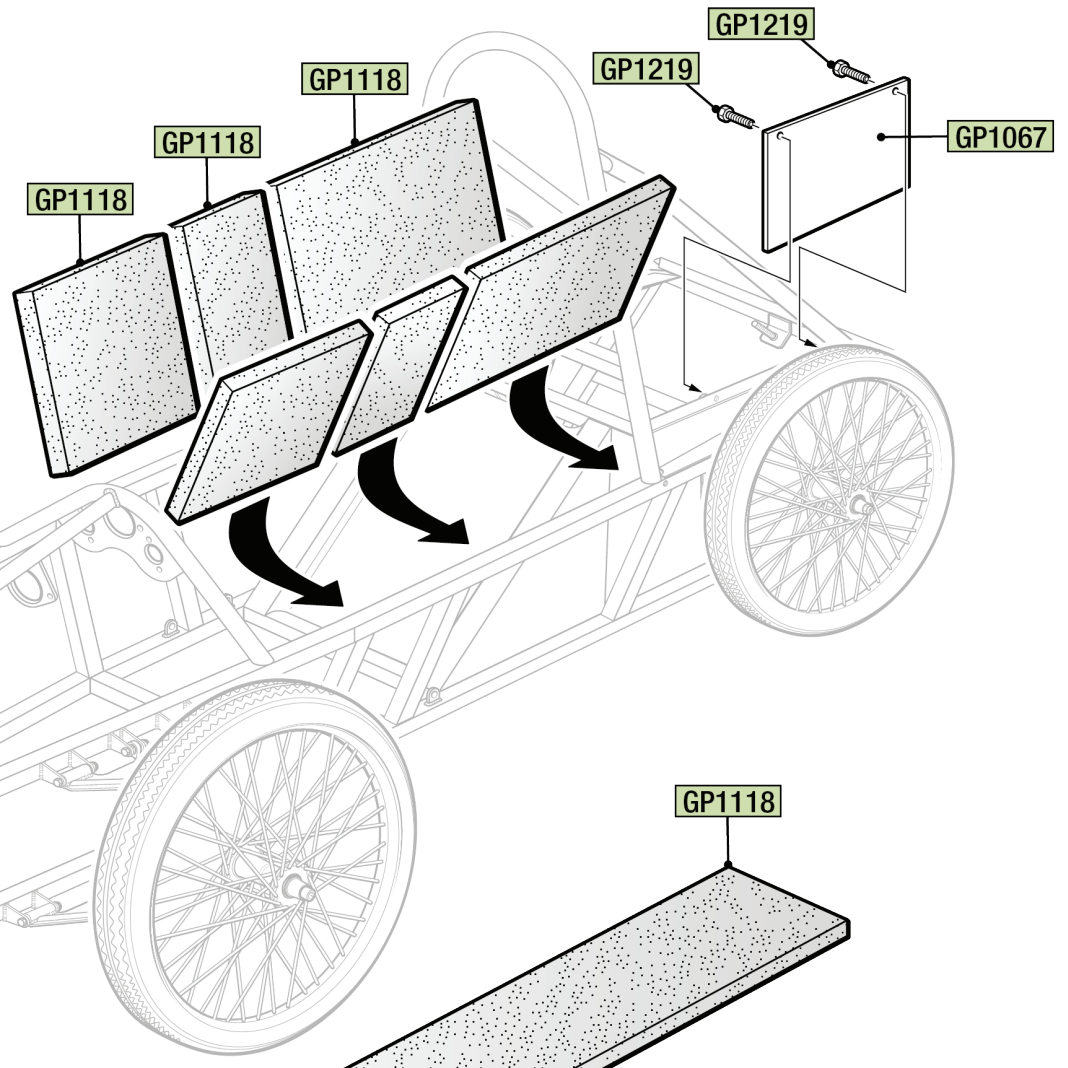
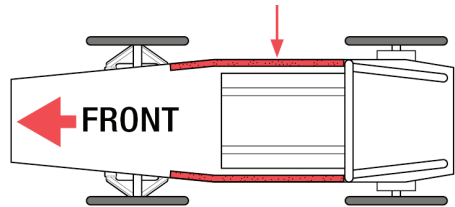


COCKPIT & NOSE CONE PADDING

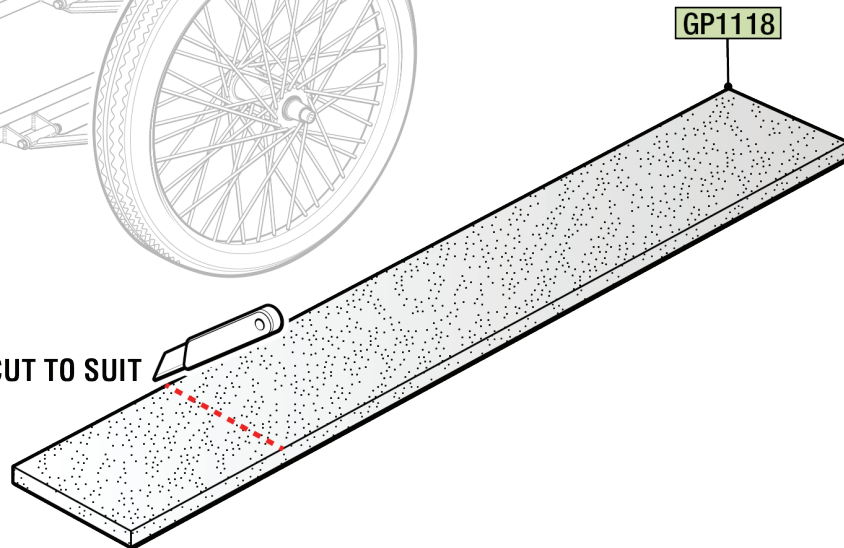


NOTE:

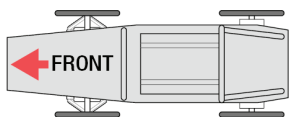
Side protection foam GP1108 should run from the roll over bar forwards to a point just before the rear front wishbone mounting point.



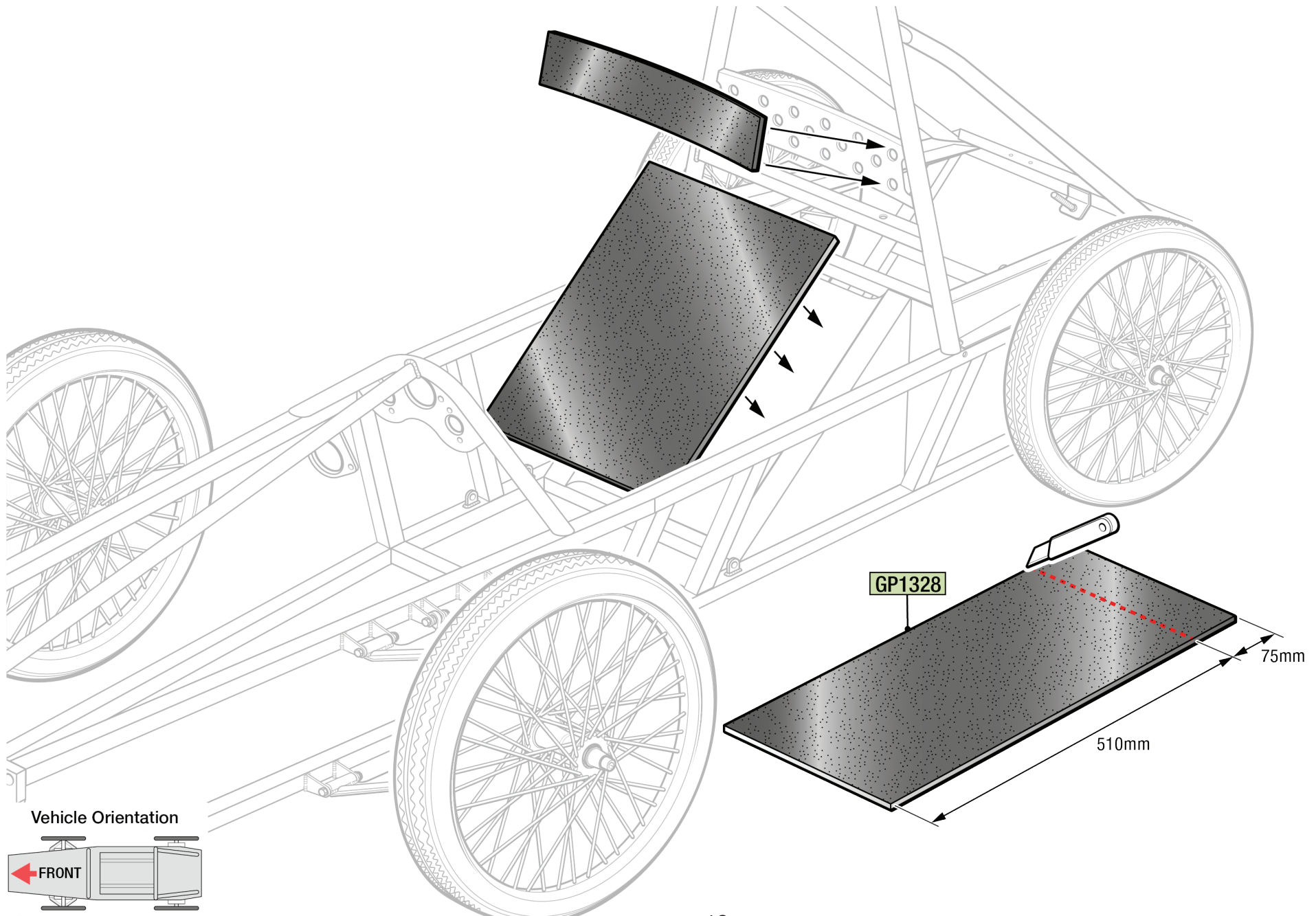
CUT TO SUIT



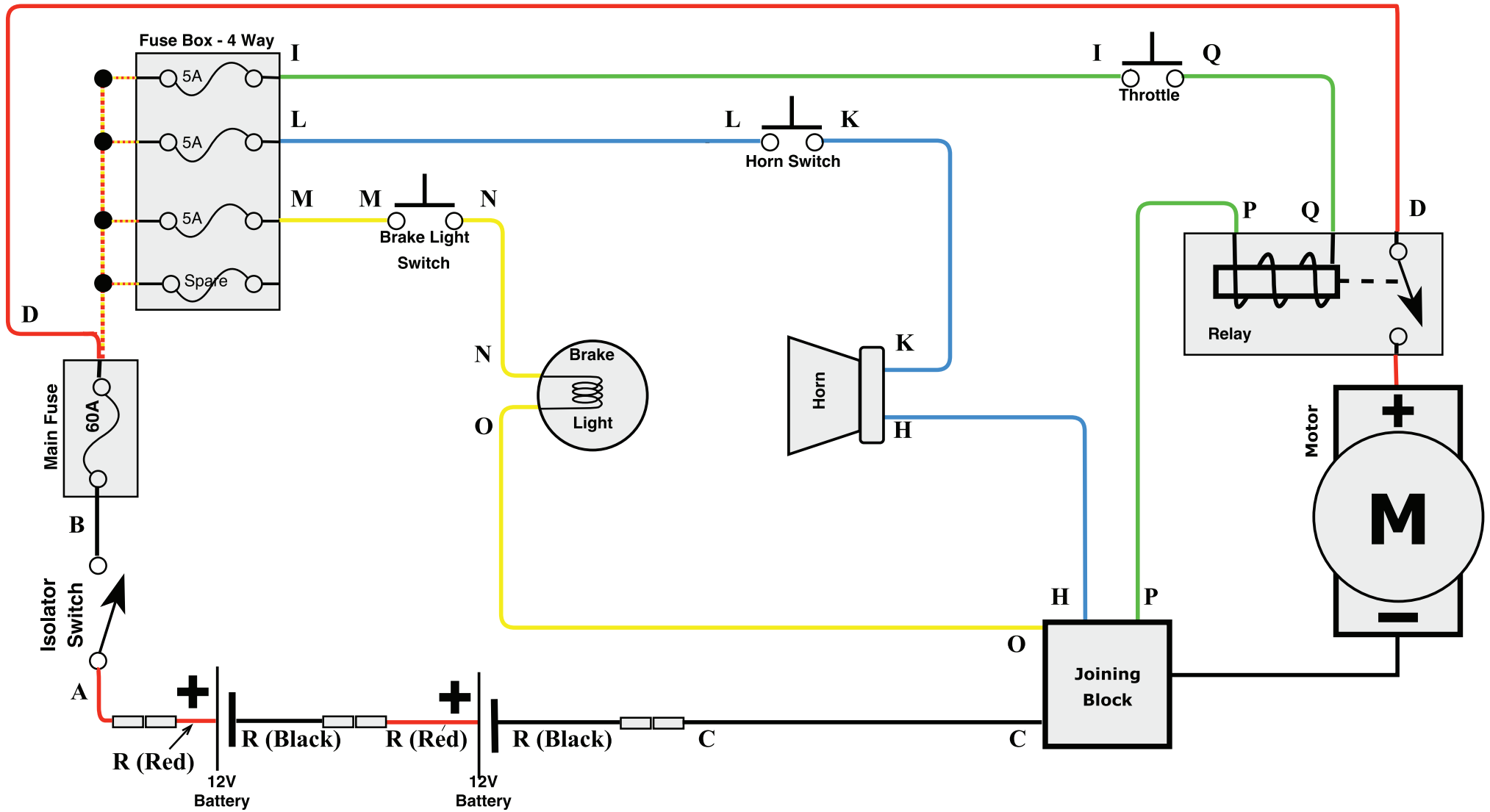
Vehicle Orientation



SEAT BACK & HEADREST PADDING

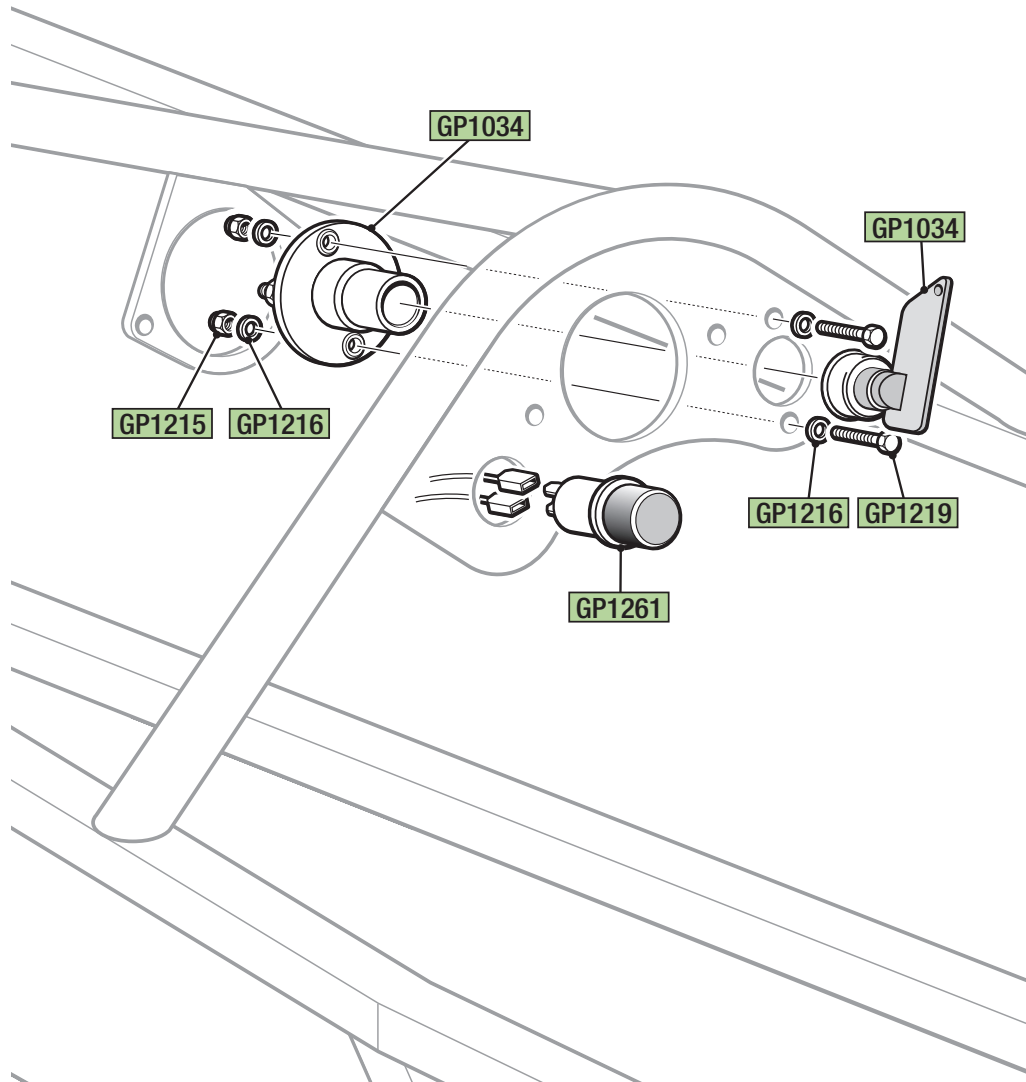


WIRING DIAGRAM

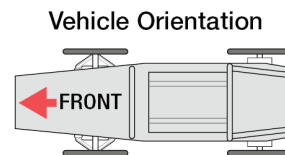
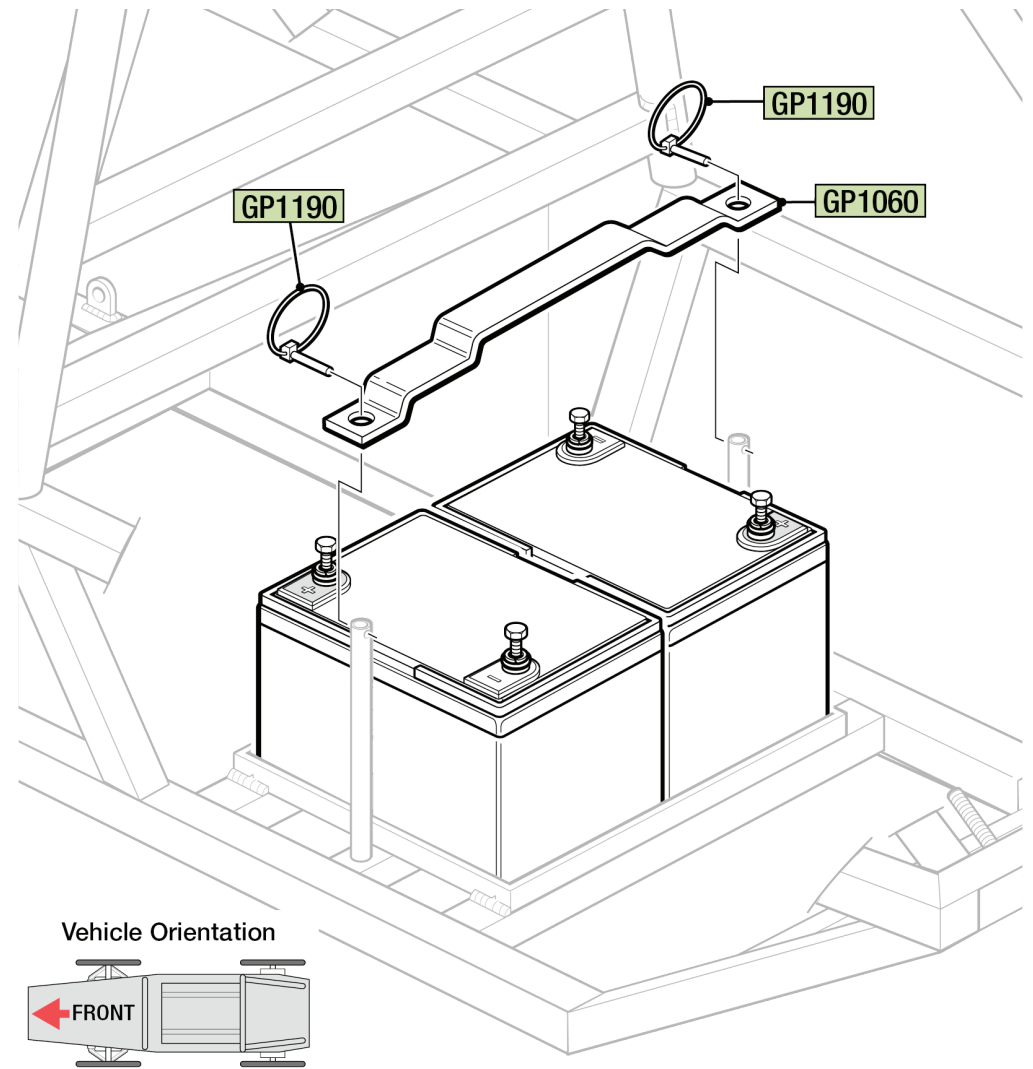


ISOLATOR SWITCH & HORN BUTTON

BATTERY



IMPORTANT NOTE:
Do NOT install / connect batteries until all wiring is complete and checked to be correct - failure to do so may result in damage which could ultimately result in a fire. Ensure Positive Lead fits to Positive (+) terminal and Negative Lead fits to Negative (-) terminal.



MORE INFORMATION

If you'd like more information please contact:

Greenpower Education Trust

The Greenpower Centre
Arundel Road, Fontwell,
West Sussex BN18 0SD

T: 01243 552 305

E: info@greenpower.co.uk

Greenpower Education Trust is a charity registered in England and Wales no. 1133536 and in Scotland no. SC046969

www.greenpower.co.uk



[/GreenpowerRacing](#)



[/Greenpowertrust](#)



[/Greenpowertrust](#)



[/company/greenpower-education-trust](#)